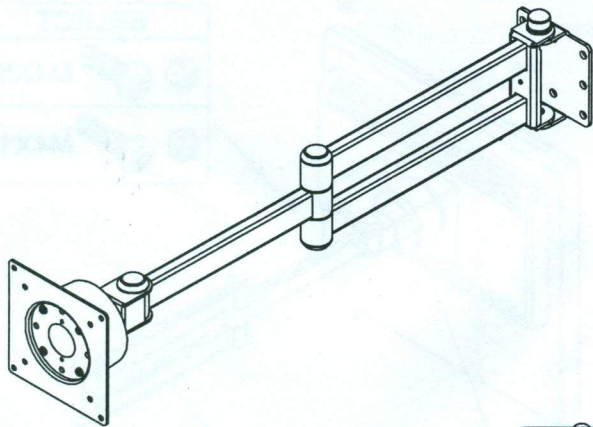
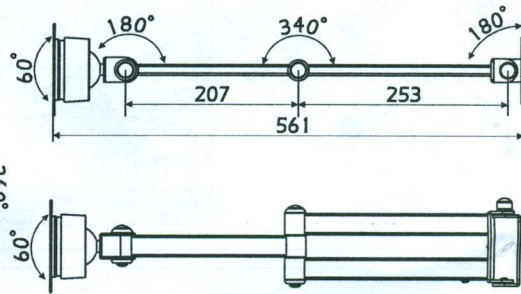
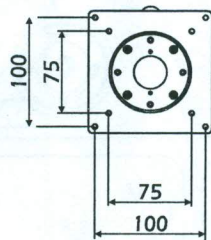


# LCD Monitor Arms

## Specification



1. Apply up to 27" LCD Monitor which backside meet VESA standards
2. Easy to install with the perfect wall mount
3. Superior flexibility and movement
4. Meets VESA standards (75x75mm and 100x100mm)
5. Swivel any directions:  $\pm 30$  degrees
6. LCD monitor swivel:  $\pm 180$  degrees
7. Horizontal moving dist:  $\pm 561$ mm
8. Each arm loading: 10kgs



Unit:mm

## Parts List

### MAIN PARTS

ITEM	1	2	3	4	5	6
PARTS						
QTY	1	1	3	1	1	1

### PARTS FOR TV BRACKETS

ITEM	7	8	9	10	11
PARTS					
QTY	3	1	1	4	4

### PARTS FOR WALL BRACKETS

ITEM	12	13
PARTS		
QTY	4	4

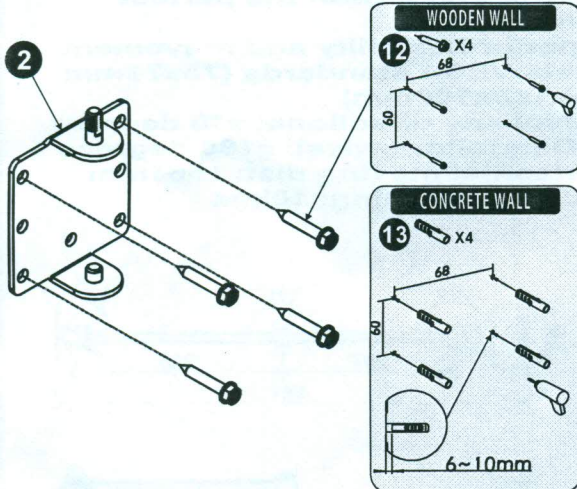
- Beware of the specification as first page.
- Please choose the thickness of solid table over 10mm.
- Please evaluate the desk material whether is stable for installation.
- Recommend the other persons to hold the monitor.
- Unplug all the cables off the TV.



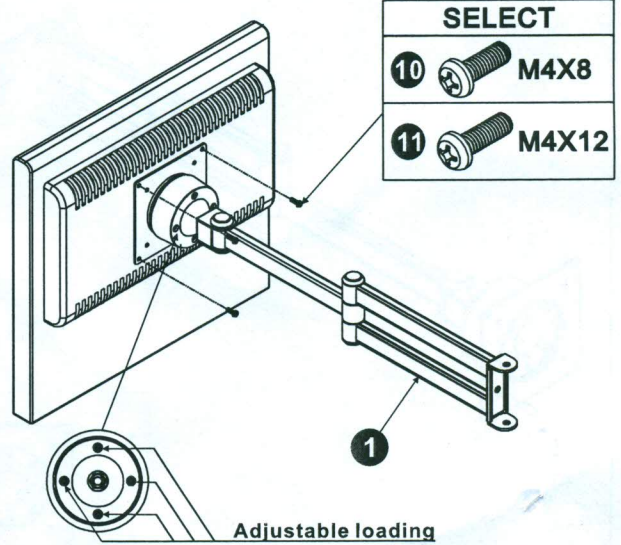
# LCD Monitor Arms

## Installation

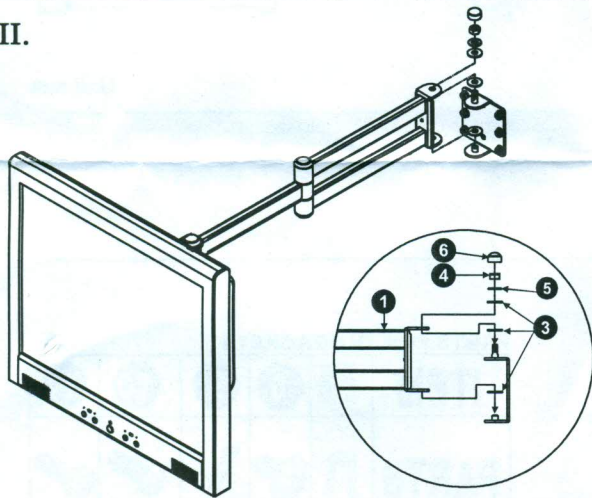
I.



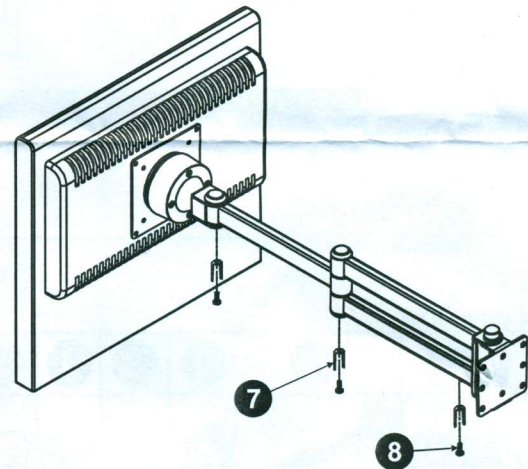
II.



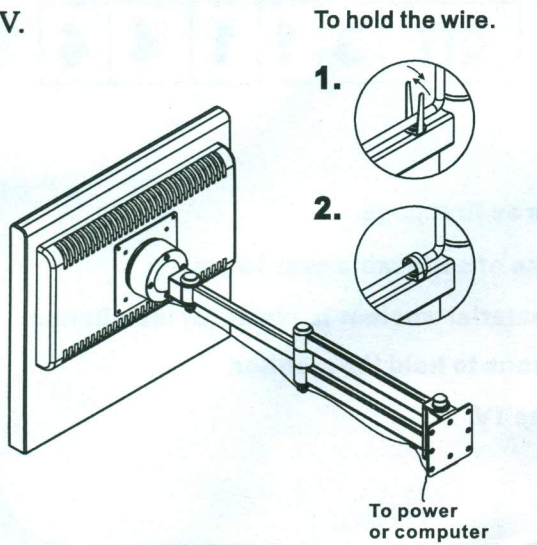
III.



IV.



V.



VI.

